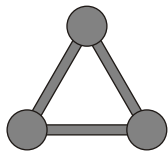
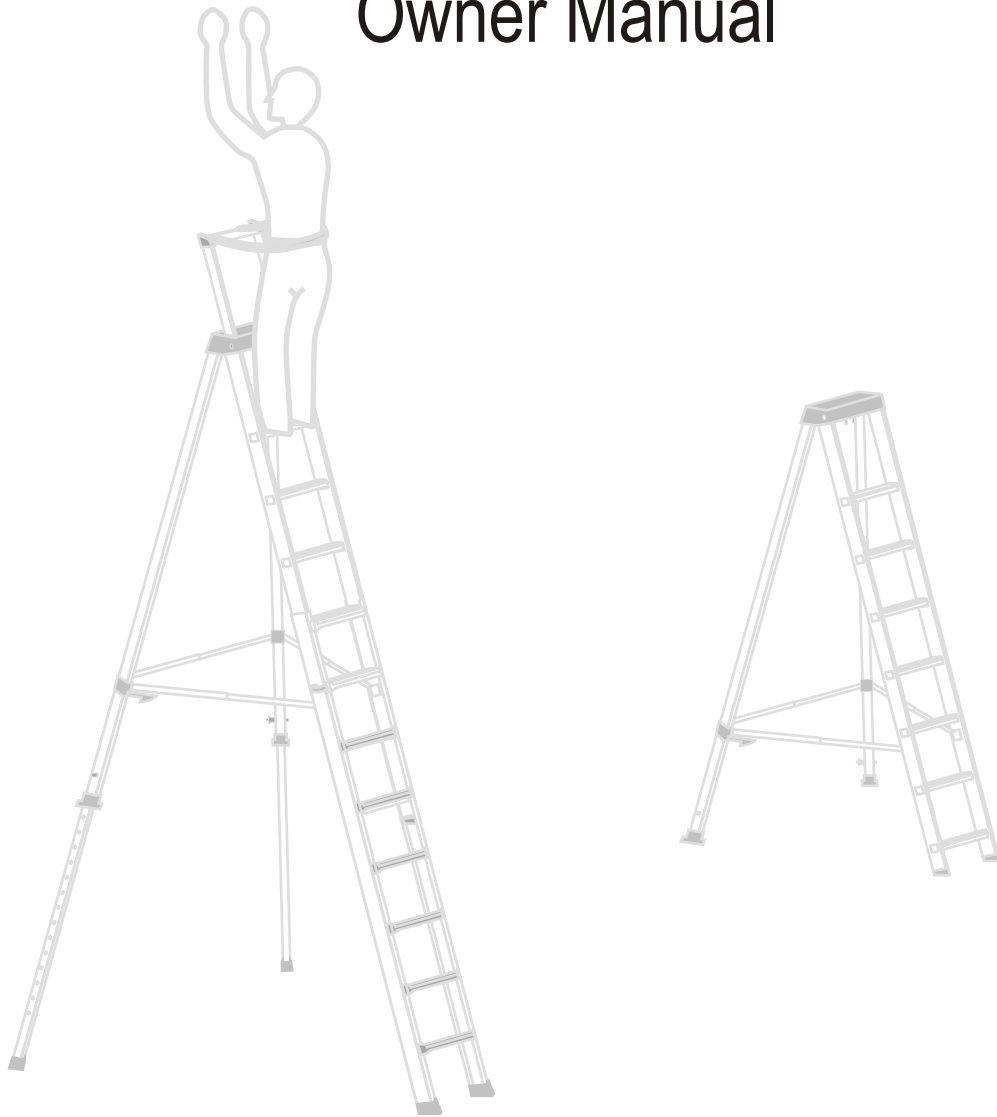


Load Capacity: **300 lbs** (136 Kg.).

# ***TRIPOD LADDER SYSTEM***

Owner Manual



# **FAXKO**

*go higher safely*

Patented

## Table of Contents

### Introduction

|                        |   |
|------------------------|---|
| Product Overview ..... | 3 |
| Terminology .....      | 4 |
| Specification .....    | 5 |

### Operation Instruction

|                      |   |
|----------------------|---|
| Application .....    | 6 |
| Lock Operation ..... | 7 |
| Safety Belt .....    | 8 |

### Safety

|                               |    |
|-------------------------------|----|
| Inspection .....              | 9  |
| Proper Set-up .....           | 9  |
| Proper Climbing and Use ..... | 10 |
| Proper Care .....             | 10 |
| Setup Demonstration .....     | 11 |



## Product Overview

The followings are the unique features for the Tripod Ladder System.

### SAFETY:

- The system is the safest ladder in its class. The wide support base provides stability that is unparalleled by any other stepladders.
- The Safety belt would allow hand free operations and provides additional protection in case you are out of balanced positions.

### CAPABILITY:

- The system can provide higher elevations than any other stepladders available for general consumers. It is perfect for those who has a high ceiling house.

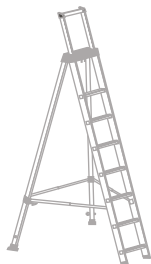
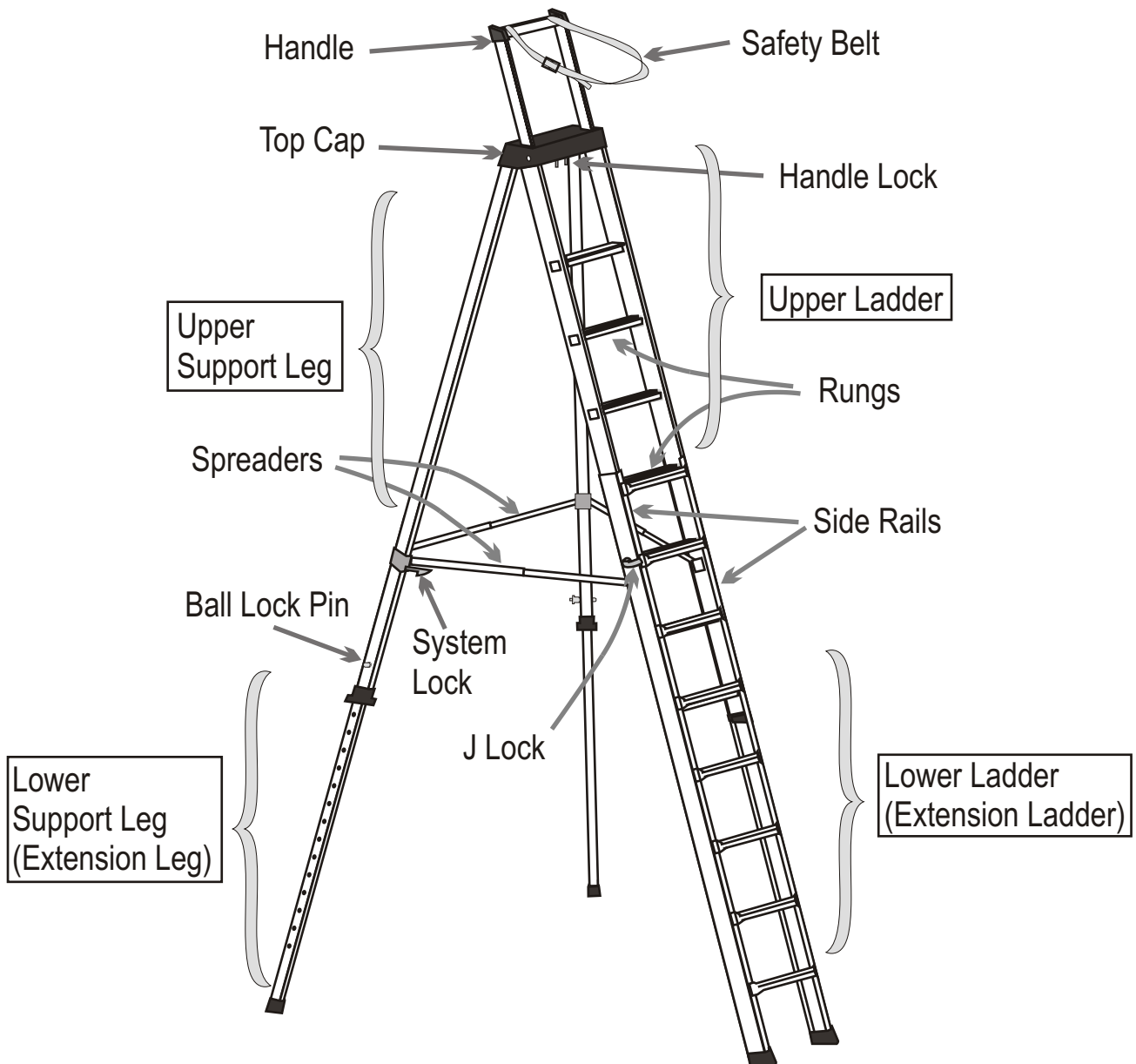
### VERSATILITY:

- The Fly Section of the system can be used independently without the extension members. It is lighter weight for low elevation applications.
- The 3 independently adjustable LEGS can be used on uneven surfaces. The feature is convenient for outdoor applications.
- Also the system can be adjusted to use for against-wall applications. It is safer than using a traditional extension ladder.

### CONVENIENCE:

- Relatively small package size and light weight for ease of storage and transportation.
- Since the system can perform as high/low stepladders and replace extension ladders, home owners would not need multiple ladders.
- The system can be operated by one person without safety concerns.

# Terminology

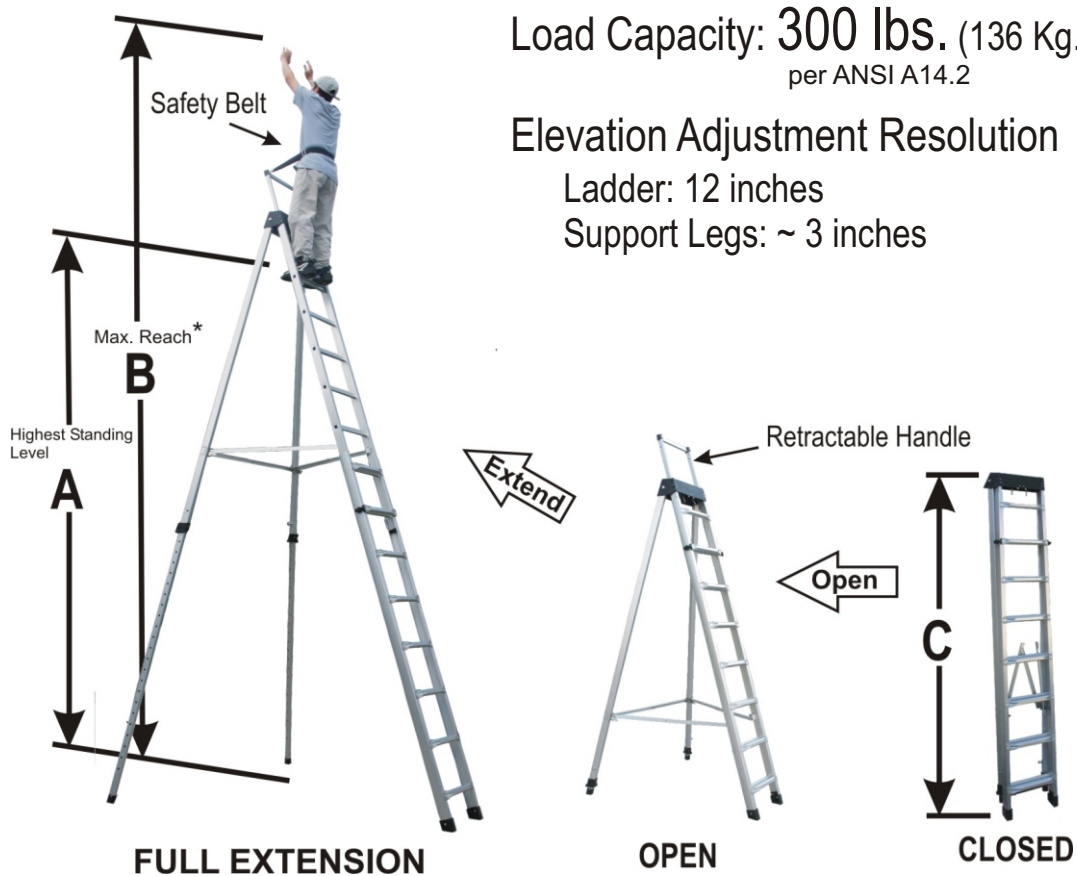


**Fly Section** is the upper ladder section without the extension members

## Specification

|   |                        | Models            |                   |
|---|------------------------|-------------------|-------------------|
| Dimensions                                    | Descriptions           | FT16              | FT14              |
| A   | Highest Standing Level | 12'1" (3.69M)     | 10'2" (3.11M)     |
| B   | Max. Reach *           | 18'7" (5.67M)     | 16'8" (5.09M)     |
| C   | Storage Length         | 8'7" (2.62M)      | 7'7" (2.31M)      |
| Weight  | Fly Section            | 28.6 lb (13.0 kg) | 26.2 lb (11.9 kg) |
|   | Total System           | 48.0 lb (21.8 kg) | 43.8 lb (19.9 kg) |
| <b>Equivalent Traditional Stepladder Size</b> |                        | 16 ft.            | 14 ft.            |

\* Assumes a 5'6" person with a vertical 12" reach



## Application

Use the ladder in the following applications only



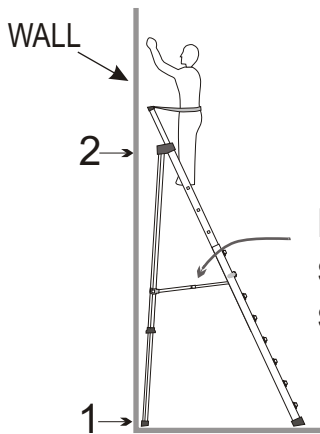
The Fly Section can be used without extension members on a firm level surface only



The ladder can be used with or without extended handle



The full ladder system can be used on even and uneven surfaces. All the 3 spreaders must be level before use for open space applications.

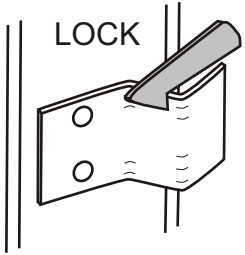
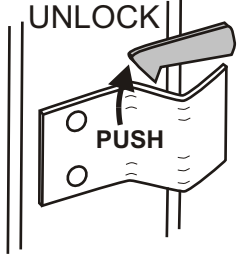
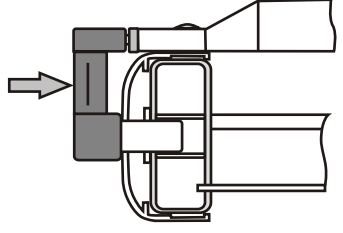
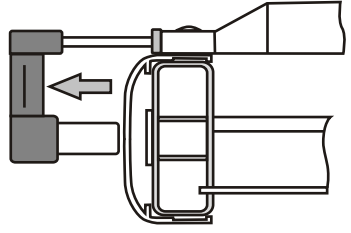
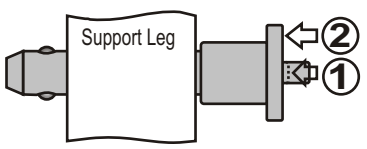
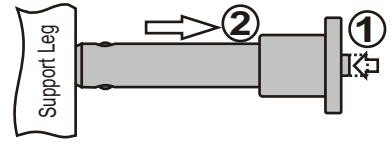
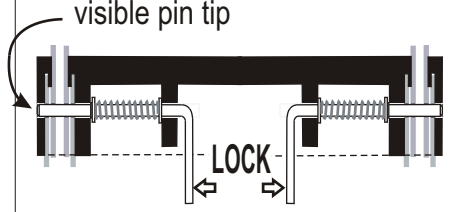
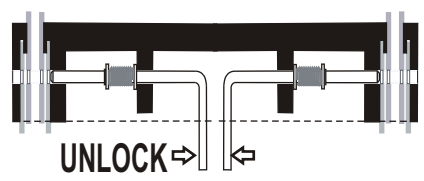


1. Support leg shoes contact with the wall
2. The top cap must be at least 10 in. (25 cm) away from the wall

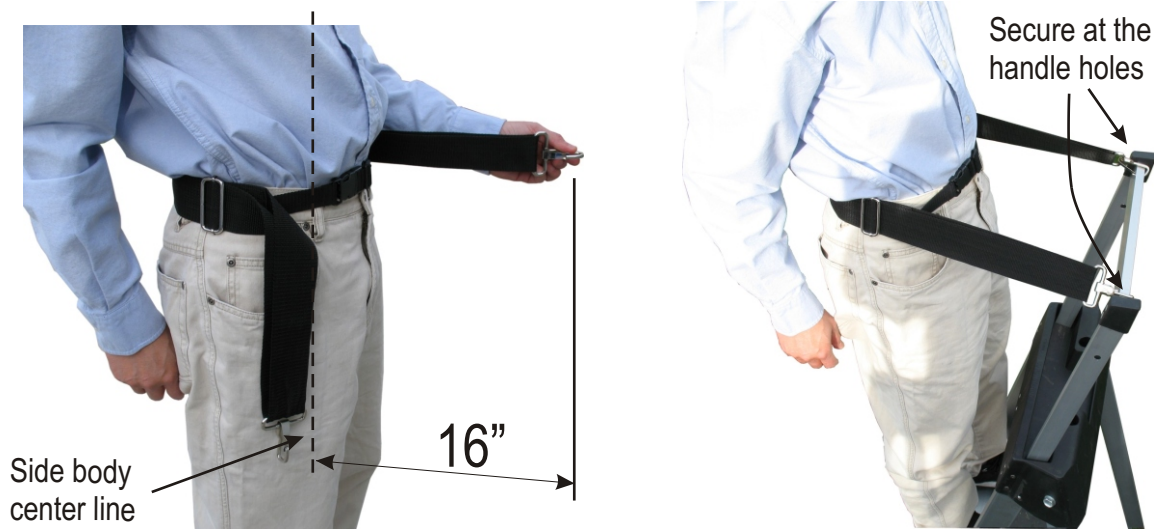
**Note:** this is the only application allow the 2 spreaders at the ladder side higher. The 3rd spreader between the legs is always level.

**AGAINST WALL**

# Lock Operations

|                      | <b>LOCK</b>  | <b>UNLOCK</b>   |
|----------------------|--|---|
| <b>System Lock</b>   |  <p>Lock the system at close position</p>   |  <p>Push up the lock mechanism to unlock the system</p>  |
| <b>J Lock</b>        |  <p>Insert lock tabs completely into the side rail hole before use</p>   |  <p>Pull the lock tab out and twist slightly</p>  |
| <b>Ball Lock Pin</b> |  <ol style="list-style-type: none"> <li>1. Press the knob</li> <li>2. Insert the pin into the hole and release</li> </ol>       |  <ol style="list-style-type: none"> <li>1. Press the knob</li> <li>2. Pull the pin out of the hole</li> </ol> |
| <b>Handle Lock</b>   |  <p>The spring would push the pin through the holes when they are aligned. Visible pin tips confirm the proper engagements.</p> |  <p>Pull the pins to the center of the top cap and rotate the pin to rest on the parking bracket.</p>         |

## Safety Belt



OUTER BELT secures the body to the ladder and the INNER BELT would help holding the belt on the body.

Wrap the BELT around your waist and adjust the OUTER BELT so that each of the end clip is approximately 16 inches from the center of the side body. Then, adjust the INNER BELT and buckle on your waist.

Use both hands in climbing and secure each of the end clips at the appropriate holes on the handle.

Note: At least one of your hands must hold the ladder all the time until the Safety Belt is properly secured.

### **Warning:**

DO NOT try to wear the safety belt while you are on the ladder.

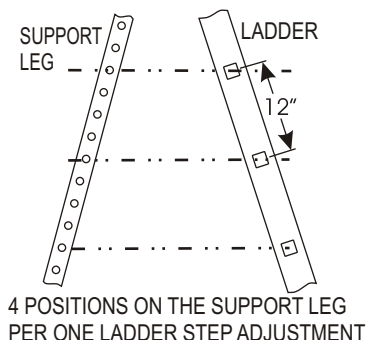
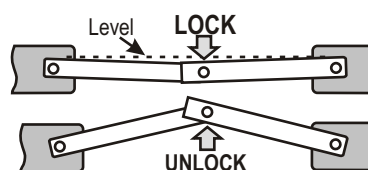


## Inspection

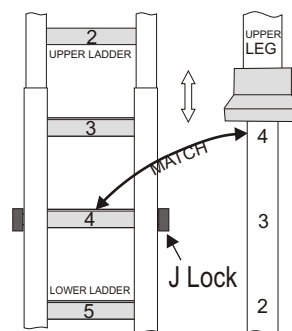
1. Inspect upon receipt and before each use: never climb a damaged, bent, or broken ladder. All parts must be in good working order
2. Make sure all rivets, joints, nuts, and bolts are tight; steps, rungs, spreaders and top cap secure; spreaders, all the locks, extension ladder and support legs function properly.
3. Keep ladder clean, free from grease, oil, mud, snow, wet paint, and other slippery material. Keep your shoes clean, leather soles should not be used.
4. Never make temporary repairs of damaged or missing parts.
5. Do not use the ladder, if one of the components (including the safety belt) has degradation due to fire, chemical corrosion, aging, excessive UV exposure and etc..

## Proper Setup

1. Release the ladder system locks, pull the support legs divergently from the ladder and securing the spreaders by pressing down the center pivots.
2. If additional elevation is required, extend the ladder one step and follow up with 4 position holes at each of the legs. Do not adjust (up or down) more than one foot at a time from an optimum position. Repeat the above process until reach to your desired height.



3. To have an optimum (most stable) position, all the 3 spreaders must be level \* before use. If the ladder is setup on a level surface, the optimum positions can be reached by matching the number on the extension leg that first appear from the upper leg with the number on the rung at the J Locks.



## Proper Climbing and Use

1. Read this manual and all the Labels on the ladder.
2. Setup the ladder properly.
3. Level all the 3 Spreaders. \*
4. Secure all the Locks.
5. Wear the safety belt before climbing.
6. Uses both hands in climbing and secure the safety belt on the handle.
7. Always face ladder and maintain firm grip until the safety belt is secured.
8. Do not over reach. Always keep your bellybutton between the side rails.
9. Never use a ladder if you are not in good physical and mental condition.
10. Total weight (a person and materials) not to exceed 300 lbs.
11. NEVER use this ladder near electrical current.
12. Do not use ladder in windy conditions.
13. Do not use in front of unlocked doors

## Proper Care

1. Store the ladder system in safe and dry place. Keep away from direct sun light.
2. Properly secure and support ladder while in transit.
3. Never store materials on ladder.
4. Keep ladder clean and free of all foreign materials.
5. Lubricate all the moving parts regularly.

\* exception for the Against Wall applications (see page 6).

# Setup Demonstration



Release system Lock



Open



Level Spreaders



Extend 1step at Ladder



Extend 4 holes at Leg1



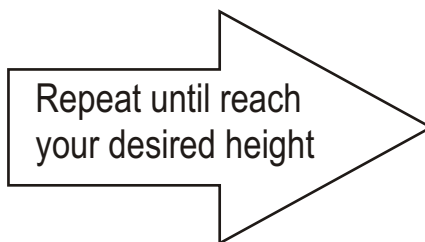
Extend 8 holes at Leg2



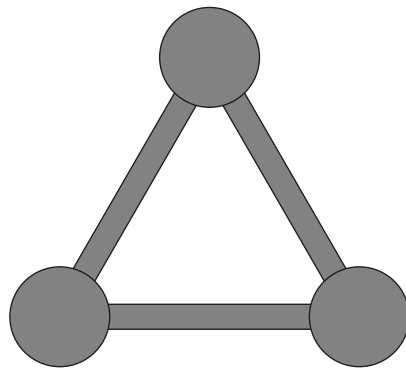
Extend additional 4 holes at Leg1



Extend additional 1 step at Ladder



Note: The images showed extending the height by 2 ft. (i.e. 2 ladder steps).



**FAXKO LLC**  
[www.faxko.com](http://www.faxko.com)